



"ALMOST INVISIBLE"

INSTALLATION AND OPERATING INSTRUCTIONS

Stainless Steel Drive Spring
20 Metre Hose Length
Fully Serviceable



Phone 0417 252 622 www.rolaway.com.au

Rolaway Underground Hose
Australian Owned, Designed, Manufactured
Pat Pend.

Please retain this for future reference.

INTRODUCTION

Thanks for your purchase of the ROLAWAY UNDERGROUND HOSE. To ensure proper installation, please take a few moments to read the instructions.

The unit's designed to allow you easy and pleasurable access to your garden hose at any time, then rewinds it OUT OF SIGHT AUTOMATICALLY.

It's built to last, all components are manufactured in STAINLESS STEEL or POLYMER to ensure a very long service life.

- ✓ Easy to use.
- ✓ Easy to install.
- ✓ The hose is stored out of the sun eliminating U.V. damage, twists, kinks and knots.
- ✓ Lock the hose at any length you like.
- ✓ The lid is UV stabilized
- ✓ The casing is manufactured from high strength polymer and is designed to be installed directly in the ground. It can also be set in Concrete, Paved Areas, Landscaped in or in your Decking.

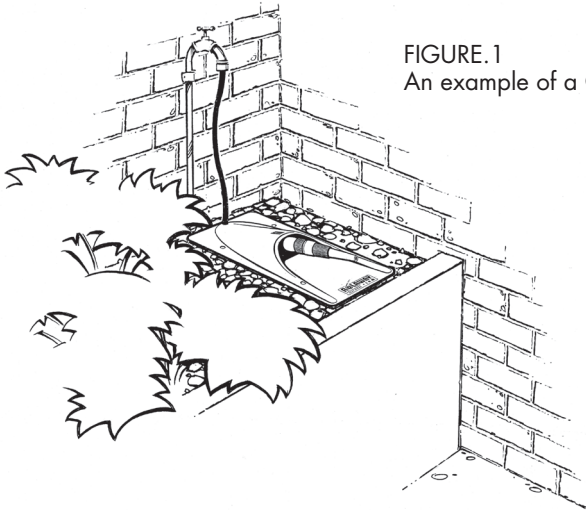


FIGURE.1
An example of a Garden Bed Installation.

- Install the unit near a tap or water source.
(The feed hose can be extended if necessary). (Pg 6).
- Choose a position that will best cover the area the hose will be used.
- Point the outlet in the most frequently used direction (Fig.2 - pg3).
- Check position does not interfere with underground plumbing or other services.
- Excavate a hole just large enough to fit the unit. Place GEO FABRIC in base of hole, be sure to cover the drain hole.* (Fig.2 - pg3).

**In heavy clay areas it is recommended to use aggregate or sand in base of hole as well as GEO FABRIC.*

- Insert casing and back fill, be sure the lid is level.
- When installing into concrete be sure inside dimensions of the casing are maintained.
- Avoid installing near large tree roots, they may reduce the life of the unit.
- Flash flooding will not affect the ROLAWAY UNDERGROUND HOSE.
If silt appears on the hose a filter located in the base of the unit can be removed and cleaned.

STANDARD INSTALLATION

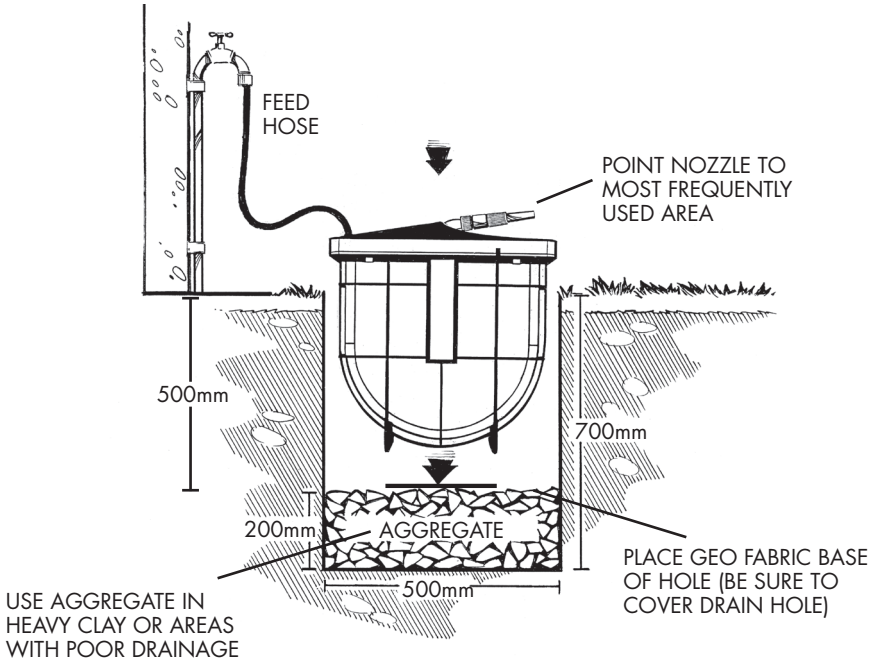


FIGURE.2

HOW TO USE THE HOSE LOCK

The ROLAWAY UNDERGROUND HOSE is fitted with a simple hose lock device, allowing you to lock the hose at any length.

You will notice a clicking sound when the hose is pulled out, simply stop pulling during these clicks and the hose will lock in position.

To release the lock, pull on the hose again, then it will retract automatically.

Always hold the hose when retracting.

IMPORTANT

To avoid damage to the unit or possible injury, always hold the hose when retracting.

TO ADD TENSION

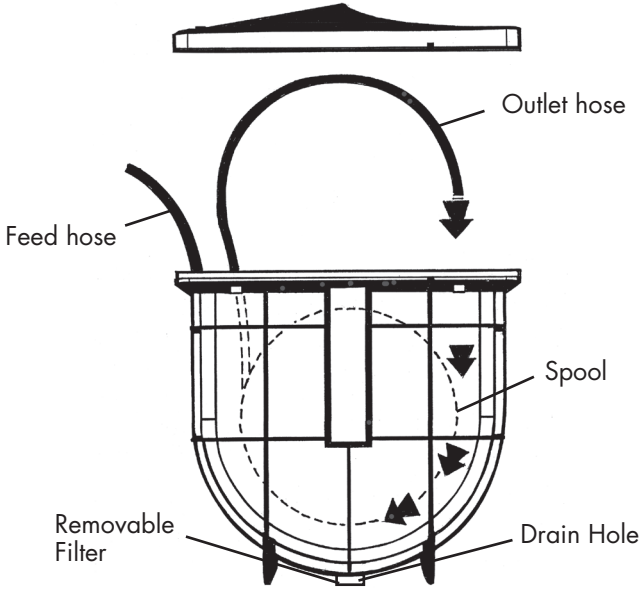


FIGURE.4

TO REMOVE SPOOL

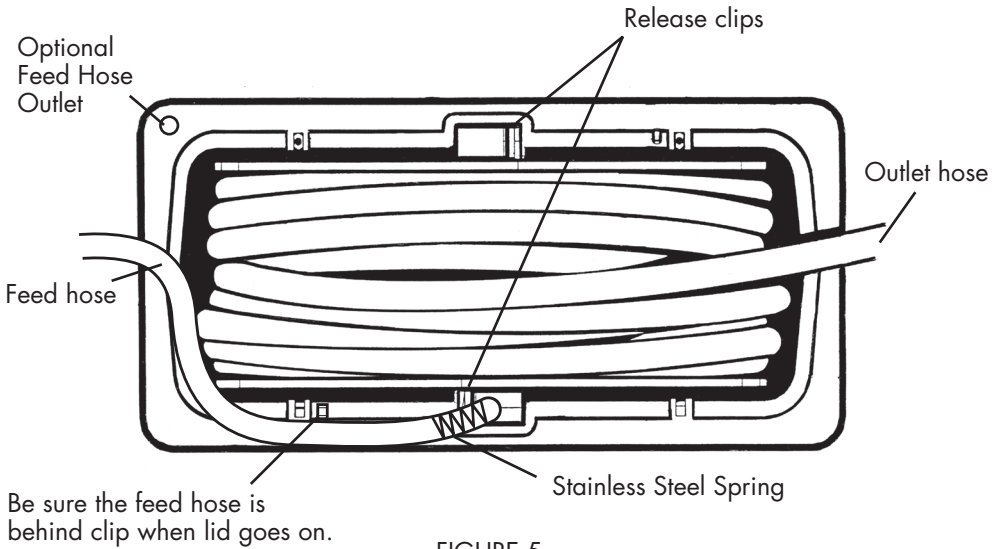


FIGURE.5

To add tension to the return spring, or Remove lid.

- Pull out 1-2 metres of hose and lock.
- Remove hose nozzle and fittings from hose, including round hose stop.
- Remove 4 screws holding the lid. Remove the lid.
- Push the hose end back under the spool in the same direction that it's wound on. Be careful not to unlock the spool when doing this. (Fig.4 - pg5).
- Repeat this process if more tension is required. Don't overtension - 4 rotations from zero maximum. (no tension)

Replacing hose.

- Remove lid (As above). Be sure hose is in locked position.
- The nylon slides located each side of the spool are retained by a clip, this must be released (use a large screwdriver), then lift the spool out of the casing. (Fig.5-pg5).
- When replacing the spool into casing, make sure the hose is fully wound onto the spool, slide spool into casing, then follow (Fig.4 - pg5). Usually 2-3 rotations is adequate (max.4).
- When replacing the lid make sure the feed hose is behind clip. (Fig.5-pg5).

To extend feed hose.

- Remove lid (As above).
- Remove spool (As above).
- Remove feed hose via hose clamp.
- Be sure to refit stainless steel spring to hose (Fig.5-pg5).

WARNING

DO NOT OPEN THE SPOOL.

Please contact ROLAWAY for technical support and customer care.

WARRANTY

Please retain this form along with purchase receipt for any warranty claim.

NAME:

PURCHASED FROM:

DATE PURCHASED:

15 YEAR REPLACEMENT WARRANTY

**ROLAWAY UNDERGROUND HOSE WARRANT YOUR NEW PRODUCT AGAINST ANY MANUFACTURING FAULT FOR A PERIOD OF 15 YEARS FROM ORIGINAL DATE OF PURCHASE.
*3 YEAR WARRANTY ON HOSE AND FITTINGS***

The warranty does not cover damage caused by misuse, use in applications other than for which the unit was designed, abuse or faulty installation or normal wear and tear. The ROLAWAY UNDERGROUND HOSE must be installed and maintained in compliance with the manual of instructions furnished with each unit.



"ALMOST INVISIBLE"

Phone 0417 252 622

Phone: +61-2 6653 6773

Email: info@rolaway.com

www.rolaway.com

ABN 50 770 876 693